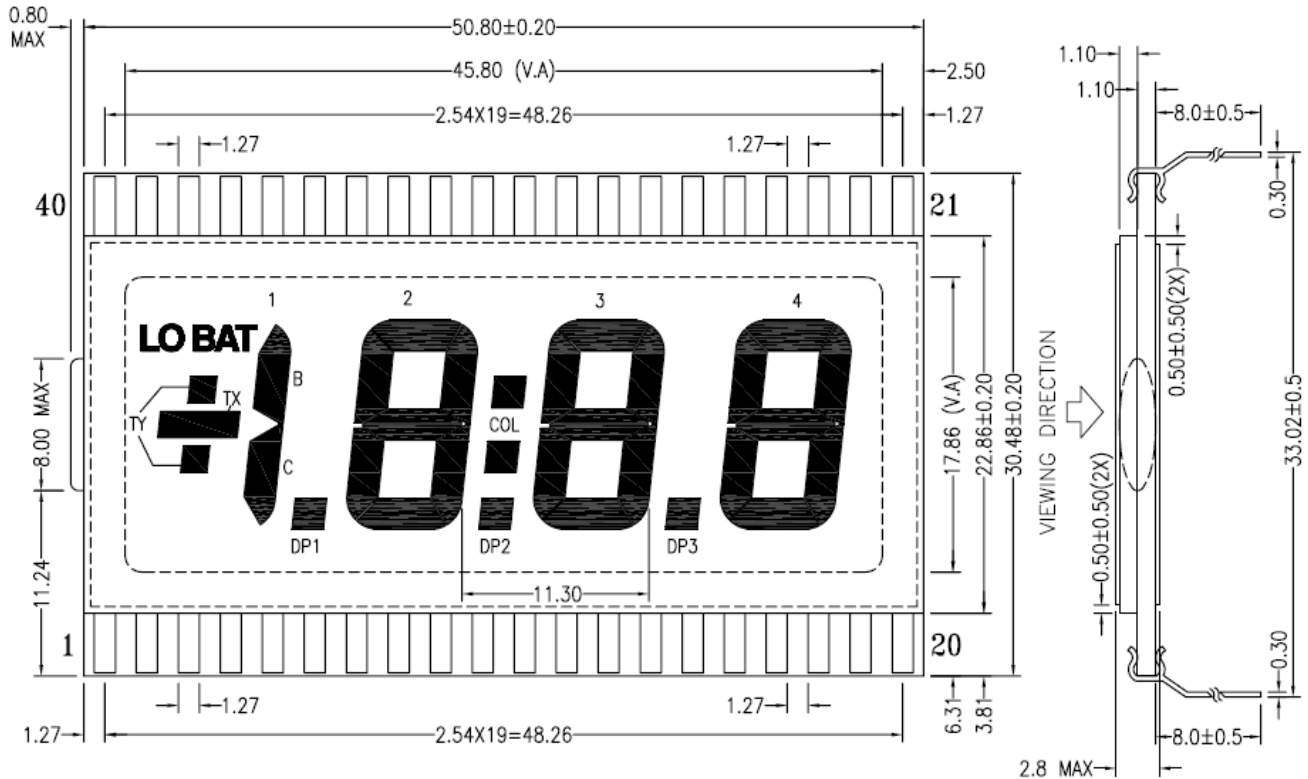
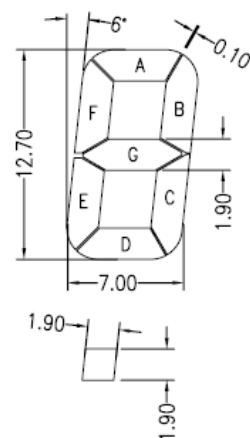


PRODUCT SPECIFICATION

Part Number **PC358-O**



PIN	SEG	PIN	SEG	PIN	SEG	PIN	SEG
1	BP	11	2C	21	4A	31	2F
2	TX	12	DP2	22	4F	32	2G
3	1BC	13	3E	23	4G	33	
4		14	3D	24	3B	34	
5		15	3C	25	3A	35	
6		16	DP3	26	3F	36	
7		17	4E	27	3G	37	
8	DP1	18	4D	28	COL	38	LO BAT
9	2E	19	4C	29	2B	39	TY
10	2D	20	4B	30	2A	40	BP



NOTES:

- | | |
|--|-----------------------------|
| 1. DISPLAY TYPE: TN | 5. OPERATING VOLTAGE: 5.0 V |
| 2. VIEWING DIRECTION: 6:00 | 6. OPERATING TEMP: 0°C~50°C |
| 3. POLARIZER MODE: POSITIVE/REFLECTIVE | 7. STORAGE TEMP: -20°C~70°C |
| 4. DRIVER METHOD: STATIC | 8. CONNECTOR: PIN |

Customer Approval Signatures	Approved By	Checked By	Prepared By

Record Of Revisions		
Rev.0 01.13.24	JAS	Layout Start
Rev.1 03.24.15	JAS	Logo update