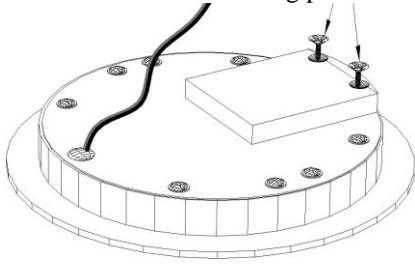


Ultra-Thin LED Recessed Downlights – Installation Instructions

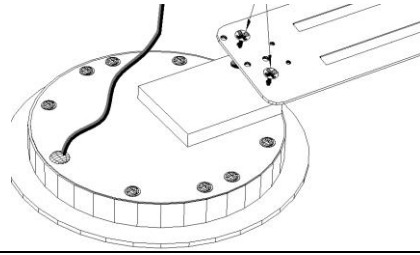
1st step

Remove screws from mounting plate/heatsink



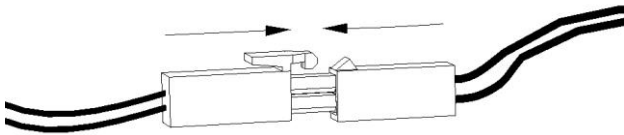
2nd step

Align junction box and screws and mount to downlight



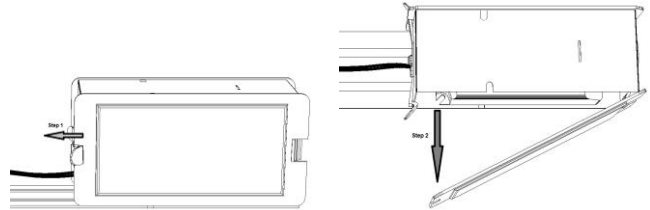
3rd step

Connect female connector from junction box to male connector from downlight



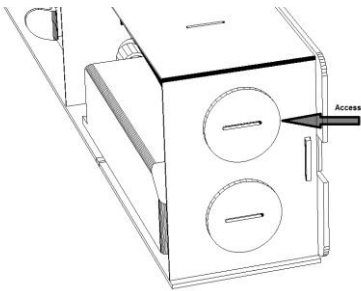
4th step

Remove side plate from Junction Box using spring release



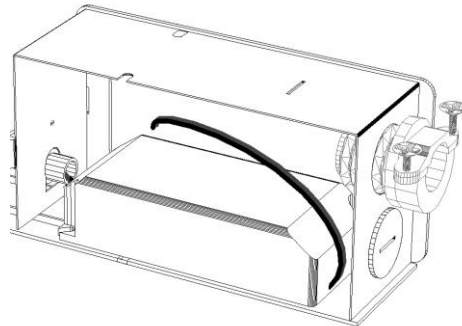
5th step

Remove upper access hole from rear of the junction box
Using a flat head screw driver by prying from center slot



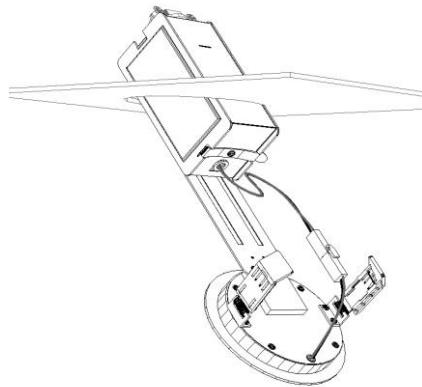
6th step

Attach MC-cable connector, feed cable in, secure clamp and connect each appropriate wire using wire nuts: Black = Live AC, White = Neutral AC, Green/Stripped Copper = Earth ground



Final step

Replace side plate onto junction box. Then maneuver junction box into opening and lift springs on downlight. Slide them into opening allowing the springs to spread and secure downlight to ceiling



P-TEC